



WESTERN
OILFIELD
SPECIALTIES CORP

THE CONTAINMENT STANDARD

SAVES SPILLS, MONEY, AND CLEAN UPS

PCC TRAPPER
POLLUTION CONTROL CORP.
STUFFING BOX CONTAINMENT



PCC 301
POLLUTION CONTROL CORP.
LOAD LINE CONTAINMENT

LEADERS IN ENVIRONMENTAL CONTAINMENT SINCE 1992
AMERICAN OWNED



THE CONTAINMENT STANDARD



**THE BUILT-IN GASKET SEALS
AROUND THE FLANGE**



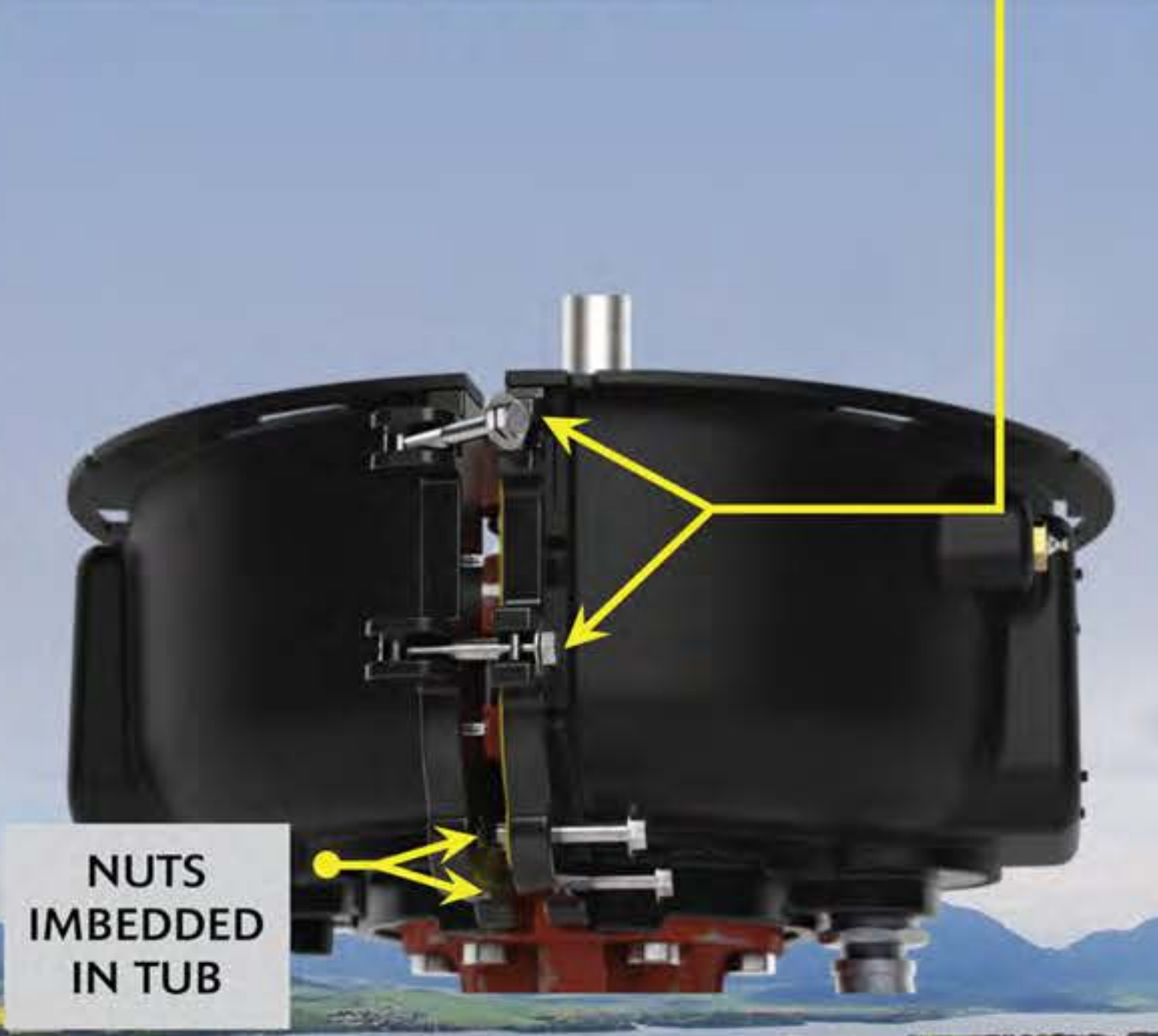
**FLUOROSILICONE
REUSABLE GASKET**



SWING HINGE BOLTS CLOSE

**TIGHTEN ALL 4 BOLTS
(ALREADY IN PLACE)
ON BOTH SIDES
NO INSIDE BOLTS
SIMPLE FAST INSTALLATION**

BOTTOM DRAIN



**NUTS
IMBEDDED
IN TUB**

THE CONTAINMENT STANDARD

PCC POLLUTION CONTROL CORP. **TRAPPER**
F8 PLUS & F8 MAX

US PATENTS 9,920,586 - 10,094,205 - 10,287,862
CANADIAN PATENTS 2,924,910 - 3,077,697



30 lbs.



41 lbs.

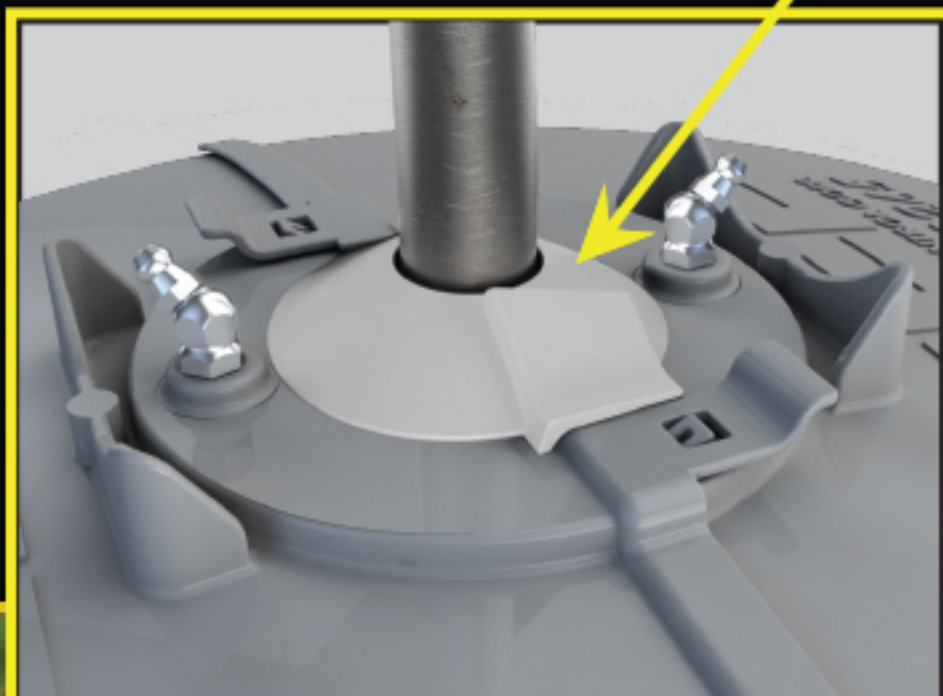
METAL FRAME WITH FLANGE SEAL
NON-CORROSIVE POLY TUB

METAL FRAME WITH FLANGE SEAL
CORROSION RESISTANT METAL TUB

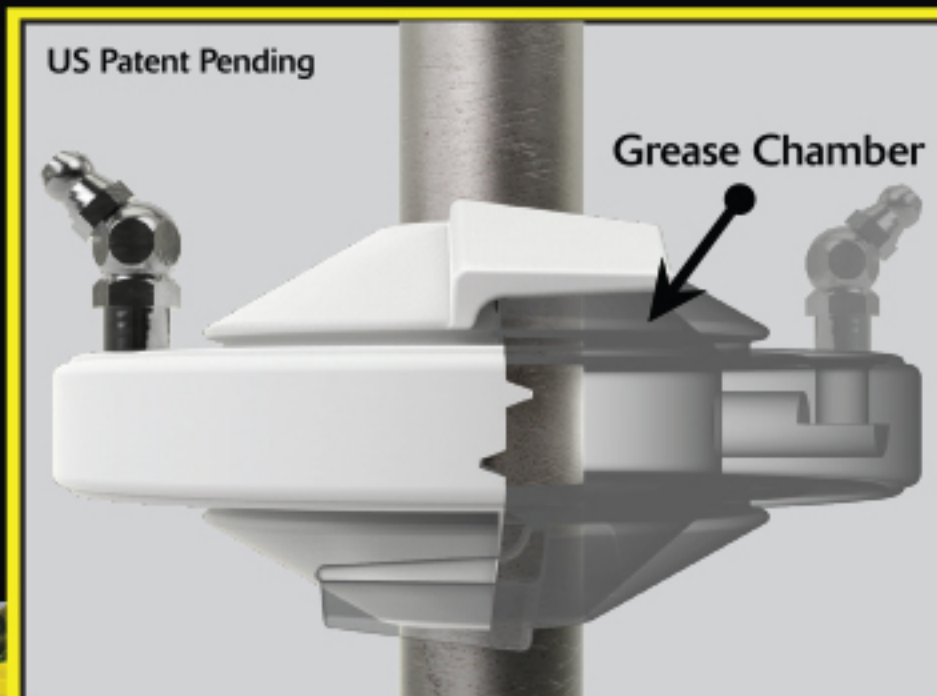
LOST PRODUCTION?

LID REPELS RAIN WATER TO PREVENT SHUTDOWN CAUSING LOST PRODUCTION

NEW WIPERS KEEP RAIN
OUT AND OIL IN



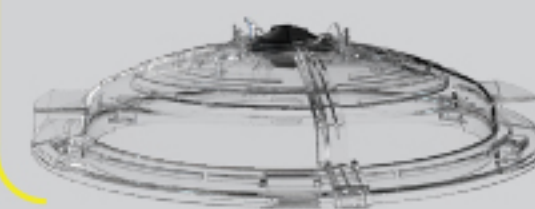
SELF-CENTERING LID



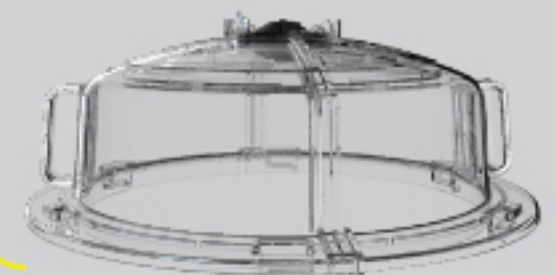
REPLACEABLE WIPERS

4 LID SIZES AVAILABLE

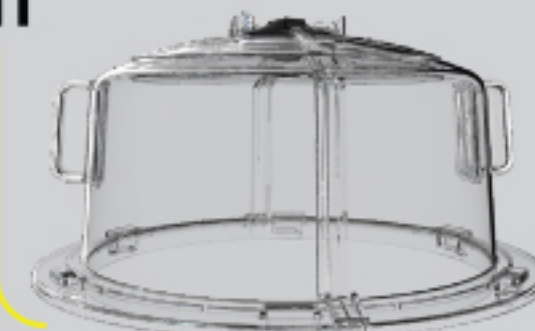
3"



7"



11"



14"





THE CONTAINMENT STANDARD

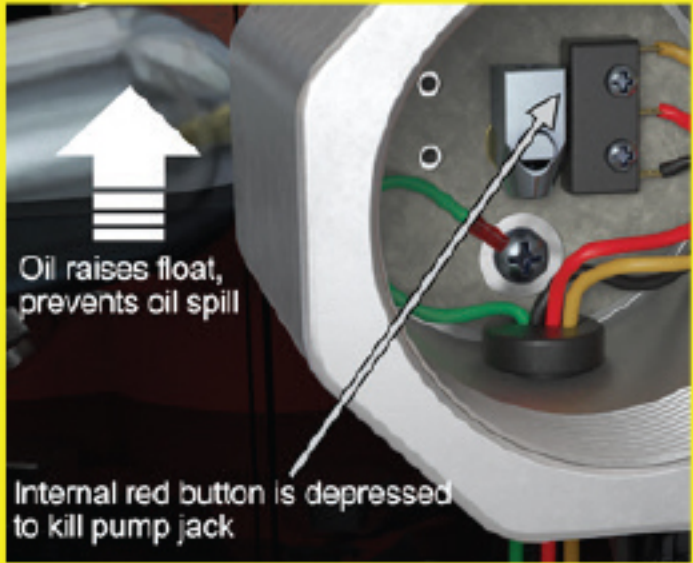
PCC TRAPPERS CAN BE CONFIGURED IN TWO DIFFERENT WAYS.



MODEL PCCF8-KS TRAPPER KILL (FLOAT) SWITCH AND DRAIN VALVE CONFIGURATION

Kill switch

Drain valve



TRAPPER CONTAINER CONFIGURATION



Hose barb

1 1/2" hose and clamps
available at supply store

Optional kill
(float) switch

40 Gallon Container

Secure container



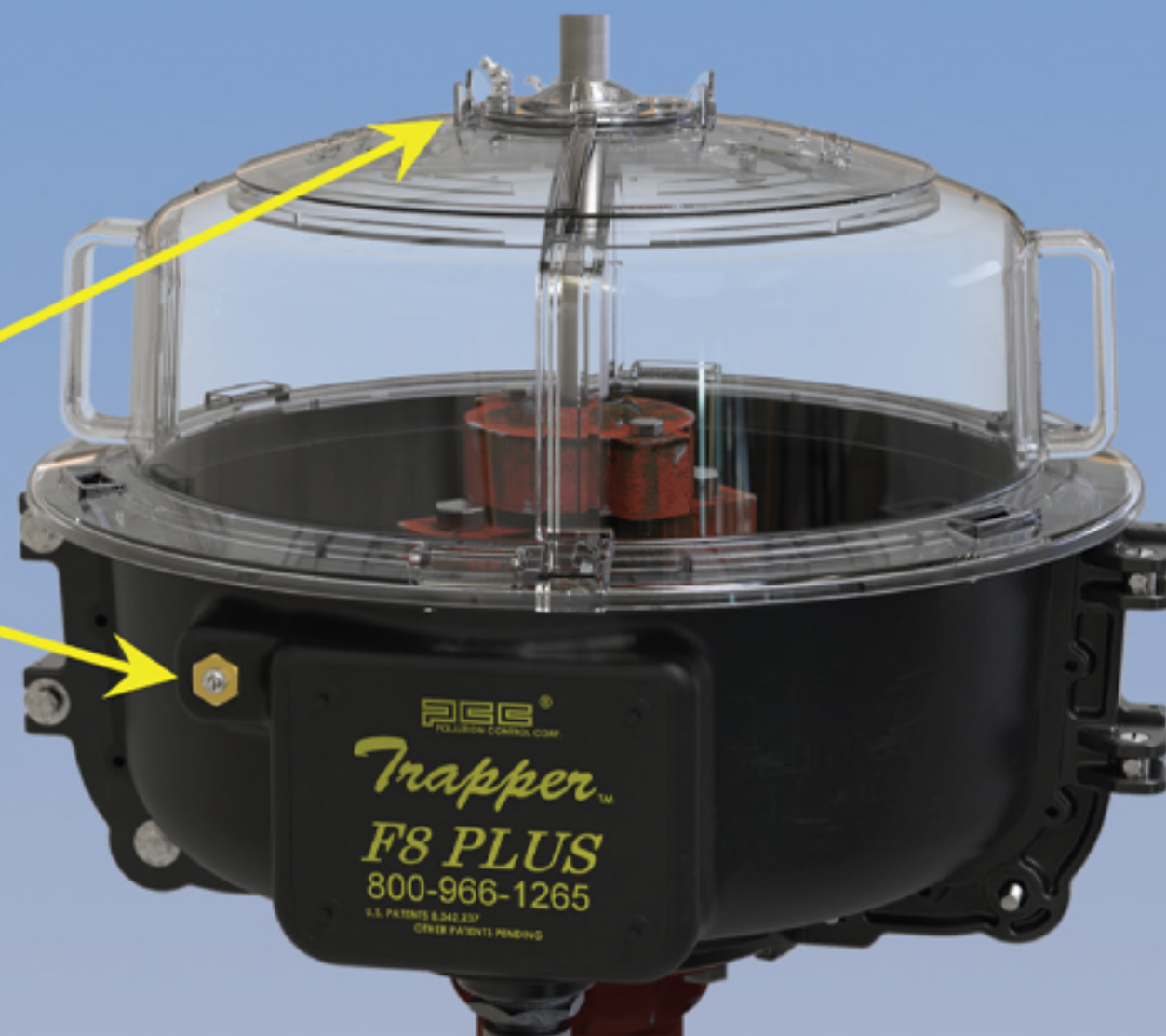
PCC POLLUTION CONTROL CORP. **TRAPPER**
F8 PLUS & F8 MAX

GREASE HOSE ASSEMBLY WITH
CHECK COUPLER PROVIDES
SAFETY / SAVES TIME



GREASE THE STUFFING BOX
WITHOUT REMOVING THE LID

grease zerks



For Canadian Inquiries Contact:



**WESTERN
OILFIELD
SPECIALTIES CORP.**

Western Oilfield Specialties Corp.
www.wos.ca

Phone: (780) 437-7733

3" LID HEIGHT



**Big Stuff Dual Pack
w/ Check Valve**



Big Stuff Dual Pack



Weir Seaboard 5k

Adapter Plate



**Harbison Fischer
Quik-Seal/Opal Pro-Align**

Adapter Plate

7" LID HEIGHT



Dual or Double Pack



**Big Stuff Dual Pack
w/ Lubricator**



**Weir Seaboard 5k
w/ Lubricator**

Adapter Plate



**Harbison Fischer
w/ Lubricator**

Adapter Plate

11" LID HEIGHT



**Dual or Double Pack
w/ Lubricator**



**Skinner Tee Base
w/ Lubricator**

Adapter Plate



Pollution Control Stuffing Box



Skinner Cross Twin

Adapter Plate



TRAPPER F8 PLUS & F8 MAX



Adapter Plate

Ratigan



Adapter Plate

Big Stuff Single Pack



Adapter Plate

Iron Mule



Adapter Plate

Jack Box
(Call for info)



Adapter Plate

Ratigan
w/ Lubricator



Adapter Plate

Big Stuff Single Pack
w/ Lubricator



Adapter Plate

Iron Mule
w/ Lubricator



Adapter Plate

Skinner Tee Base

14" LID HEIGHT



Pollution Control Stuffing Box
w/ Lubricator



Adapter Plate

Skinner Cross Twin
w/ Lubricator

7" LID HEIGHT



Adapter Plate

Single pack
Mounts to Pumping Tee
(Call for info)

PCC 400
POLLUTION CONTROL CORP.

Pollution control cone

Designed to withstand the elements
Constructed of long lasting galvanized metal
Helps eliminate production down time
Will reduce downtime repairs on flame arrestors
caused by nesting problems.

Sizes: 4", 6", 8", 10", 12", 14", 16", 18", 20", and 24".
For Custom Sizes call for Quote.



PIG CATCHERS



42 D

- 42Wx34H
- 110 lbs
- 110 gallon capacity
- Swivel lid
- Black only

390

- 32Wx56H
- 115 lbs
- 90 gallon capacity
- Swivel lid
- Black only

24 D

- 24Wx34H
- 50 lbs
- 29 gallon capacity
- Swivel lid
- Black only

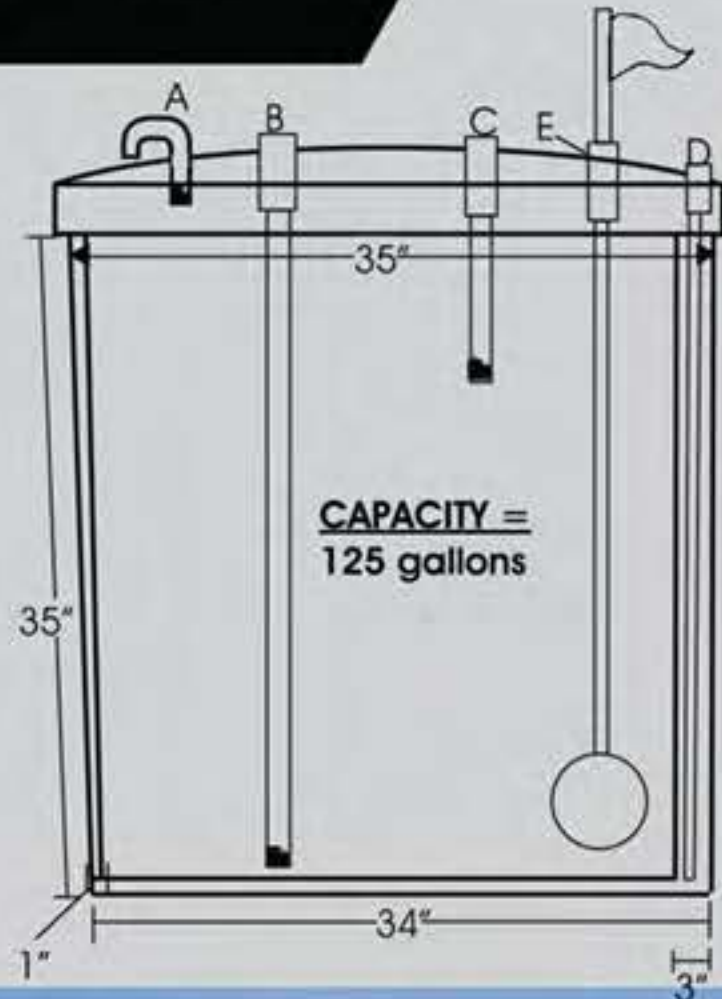
All PCC Pig Catchers are double walled so they can be buried and include an expanded metal screen to catch pig. Grounding Kit Included.

THE CONTAINMENT STANDARD

CONTAINMENT PRODUCTS

PCC COBRA II

- A. Vent - 1"
- B. Outlet - 3"
- C. Inlet - 3"
- D. Dipstick - 1" collar
- E. Collar - 1" for float
- F. 2" Threaded inlet (optional)
- G. Quality UV resistant fiberglass

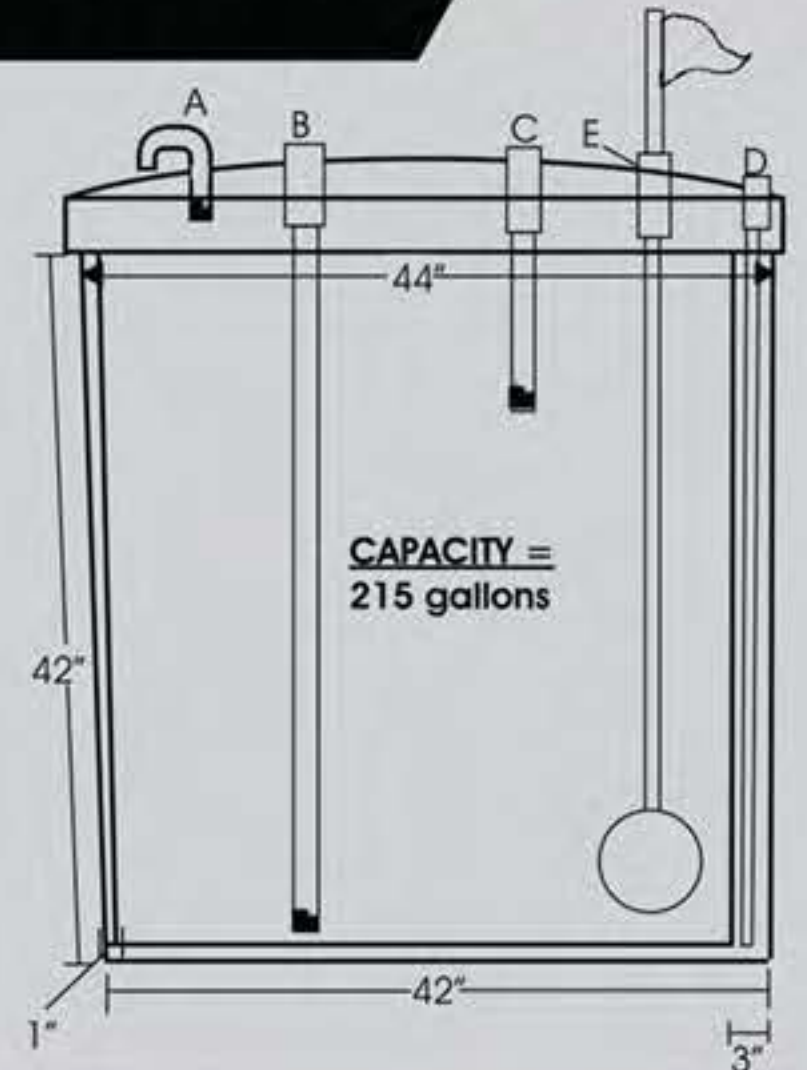


125 Gallon double containment sump



PCC COBRA III

- A. Vent - 1"
- B. Outlet - 3"
- C. Inlet - 3"
- D. Dipstick - 1" collar
- E. Collar - 1" for float
- F. 2" Threaded inlet (optional)
- G. Quality UV resistant fiberglass



CONTAINMENT TRAYS

Spill Utility Tray
24" x 48" x 4 3/4"
24 gallon capacity

2 Drum Tray
26"W x 51"L x 6 1/2"H

404 Shallow
30"W x 60"L x 12"H
90 gallon capacity



PCC[®] 300

POLLUTION CONTROL CORP.
U.S. Patents 9,151,428 - 7,921,884 - 7,673,658
Canadian Patent 2,682,171

3 Gal.



PCC[®] 301

POLLUTION CONTROL CORP.
U.S. Patents 9,151,428 - 7,921,884 - 7,673,658
Canadian Patent 2,682,171

6 Gal.



PCC[®] 302

POLLUTION CONTROL CORP.
U.S. Patents 9,151,428 - 7,921,884 - 7,673,658
Canadian Patent 2,682,171

9 Gal.



PCC[®] 303

POLLUTION CONTROL CORP.
U.S. Patents 7,673,658
Canadian Patent 2,682,171

29 Gal.



Pollution Control Corp. has been providing Oilfield and Industrial Containment Systems since 1992. PCC has a diverse product line of Load Line Containment Systems, ranging from 3 to 29 gallon capacity. The containers are manufactured with UV resistant polyethylene and are available in three colors.

WARNING: PCC Loadline Containers are to be used only for the loading and unloading of crude oil and saltwater only at atmospheric pressure. Use of PCC Loadline Containers for loading and unloading of other materials besides crude oil and salt water and/or at other than atmospheric pressures and/or Collar Flow Pressure exceeding 75 psi, could result in serious personal injury or death, and could cause extensive property damage.

U.S. Patents
9,151,428 - 7,921,884 - 7,673,658
Canadian Patent
2,682,171

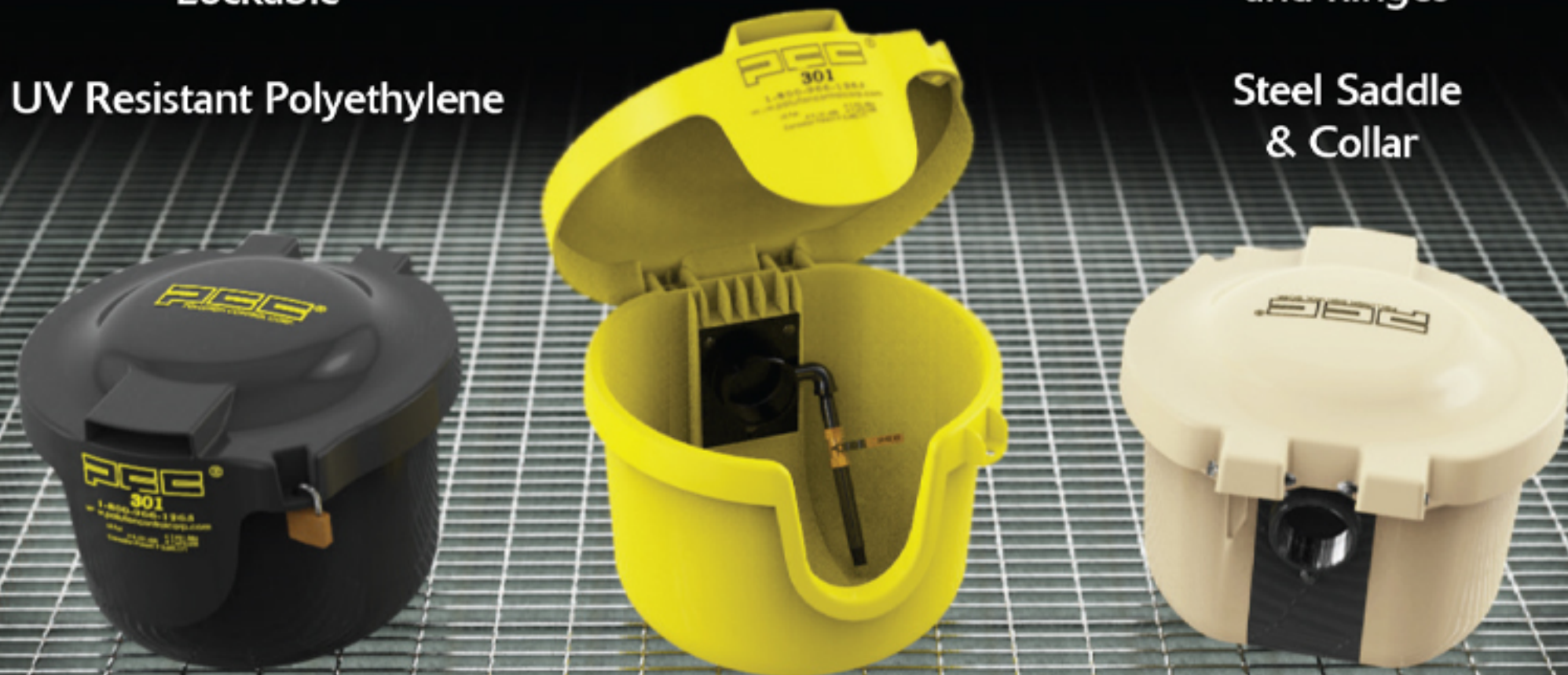
PCC[®] 301

Lockable
UV Resistant Polyethylene

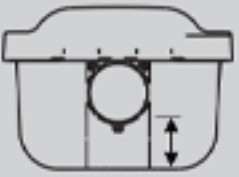
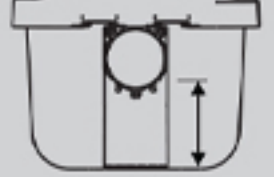
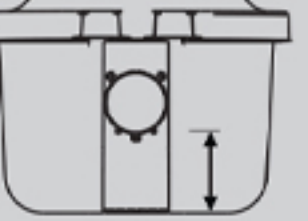
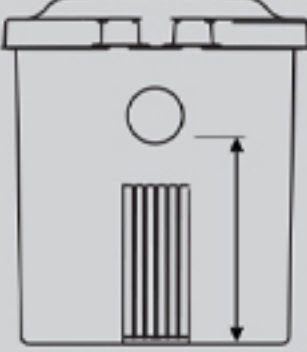
Sidewinder
Assembly

Stainless steel bolts
and hinges

Steel Saddle
& Collar



Load Line Containment - Technical Specifications

| Specifications | 300 | 301 | 302 | 303 |
|---|--|---|---|--|
| Distance from the ground to the bottom of a 3 inch collar |  4.75" |  7.5" |  7" |  17" |
| Capacity (Gal.) | 3 | 6 | 9 | 29 |
| Weight (lbs) | 20 | 25 | 35 | 31 |
| Height (in.) | 13.5 | 16.5 | 19.5 | 30 |
| Width (in.) | 19.25 | 21.5 | 26 | 26 |
| Front to Back (in.) | 18.5 | 21.5 | 27.5 | 27.5 |
| Sidewinder | Standard | Standard | Optional | Optional |

*UPS charges are based on box size versus actual weight.

THE CONTAINMENT STANDARD

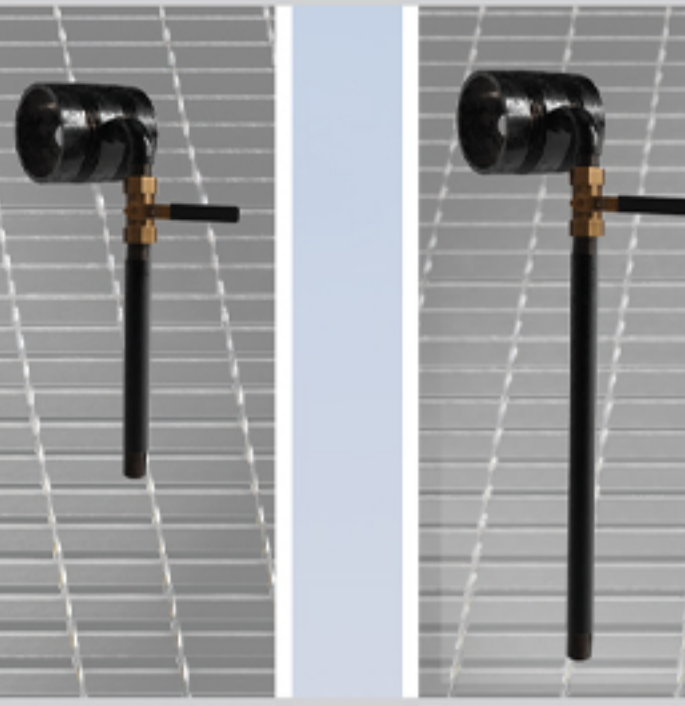
LOAD LINE CONTAINMENT

Quality UV resistant polyethylene.
Eliminates expensive clean up at loading and unloading areas.
Sidewinder automatically empties unit while truck is loading product.
Steel collar and saddle gives the 300, 301 and 302 the strength of steel and the non corrosiveness of polyethylene.
Ribs have been added to the back of the units to double the strength of the steel saddle.
Units can be locked for security.
Valves can be locked inside the 302 and 303 units.
Stainless steel bolts and hinges.
Unit is designed to handle oil and saltwater.
All units come in 2", 3" or 4" collar sizes. Carbon steel is standard and stainless steel is available on request.
PCC 303 has a 4-1/2" hole to accommodate all pipes sizes.
Taller lids available on the 302 and 303 to accommodate gate valves.

PCC LOAD LINE CONTAINERS are available in yellow, tan or black



Sidewinder Assembly
Optional - 302 & 303



PCC 302 & 303 units can be locked with valves inside.
PCC 302 & 303 have optional sidewinder installed after the valve.
Automatically empty your Pollution Control container with the sidewinder, while loading product.



PCC Load Line Containers help with compliance of Federal Regulations for spills both inside and outside containment walls

SAVES SPILLS, MONEY, CLEAN UPS



THE CONTAINMENT STANDARD



pollutioncontrolcorp.com
Toll Free: 800-966-1265